



LANKA JA MUOVI



Black/Wood

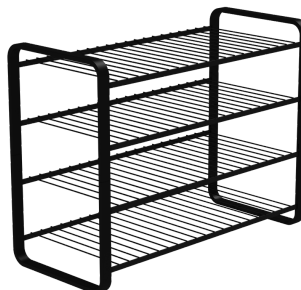
Manufacturer: Lanka ja Muovi Oy, Niittymaantie 81, 28580 Pori, Finland, www.lankajamuovi.fi

♥ WOOD Shoe Rack

Congratulations! You have made a sustainable choice by purchasing this WOOD shoe rack! The ends are made of renewable biocomposite with 40% wood fiber and wood waste from ISCC-certified polypropylene. The sum of emissions and carbon content shows that the material is actually a carbon storage, and the combined carbon foot print is **negative!** The shelf levels are made of recycled steel wire, so the product itself is environmentally friendly!

- Organizes your home
- Brings piece of mind
- Fast and easy to assemble
- No tools needed
- Easy to shorten with a saw
- Ends of **carbon negative** wood composite
- Shelves of powder-coated steel

You can connect two racks into 4-level shoe rack with the pin set LM 394! Sold separately.



White/Wood



Silver



White



Black



Assembly Instructions

2-level Shoe Rack

Place the end on the floor and press the shelves into the holes as shown in image 1. The lower shelf height is adjustable as shown in image 2 (detail A). Then place the shelves in the holes of the other end and press the end towards the floor. No tools are needed!



Image 1.

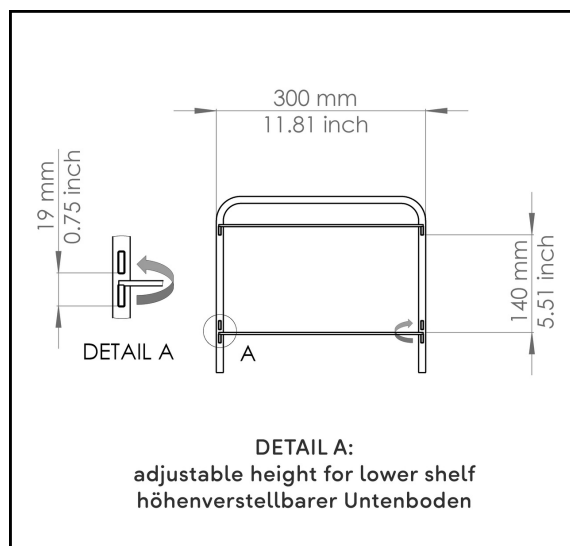


Image 2.

4-level Shoe Rack

Connecting 2 shelves together to get a 4-level shoe rack!

Before you start assembling, please ensure that the steel wire shelves are facing the string sides upwards (see detail image 3). Put the wooden pins into the holes of the shoe racks' ends as shown in image 4. When all parts are together, please press the ends towards the floor as shown in image 1 - this way you make sure, that the shelves are completely attached to the ends.

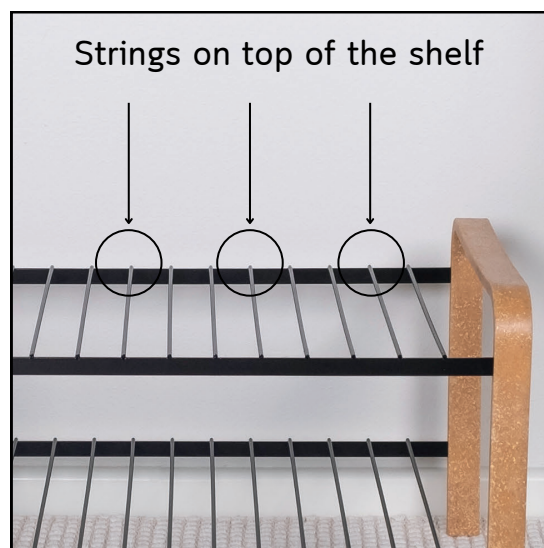


Image 3. Place the shelves right way up.

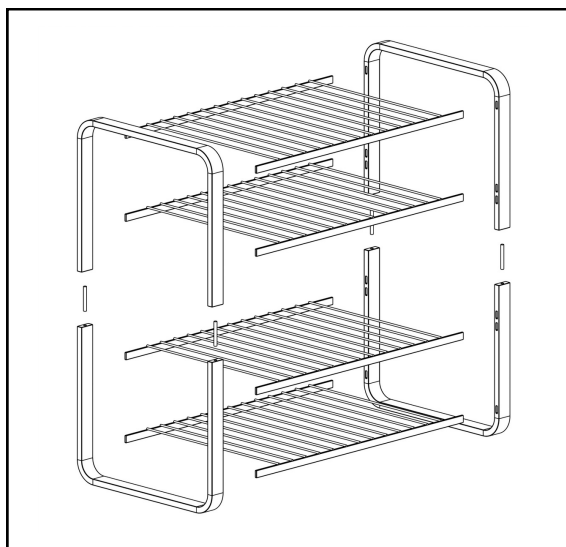


Image 4. Assembly into 4-level rack